

Outdoor CPE Enclosure



PRODUCT INFORMATION

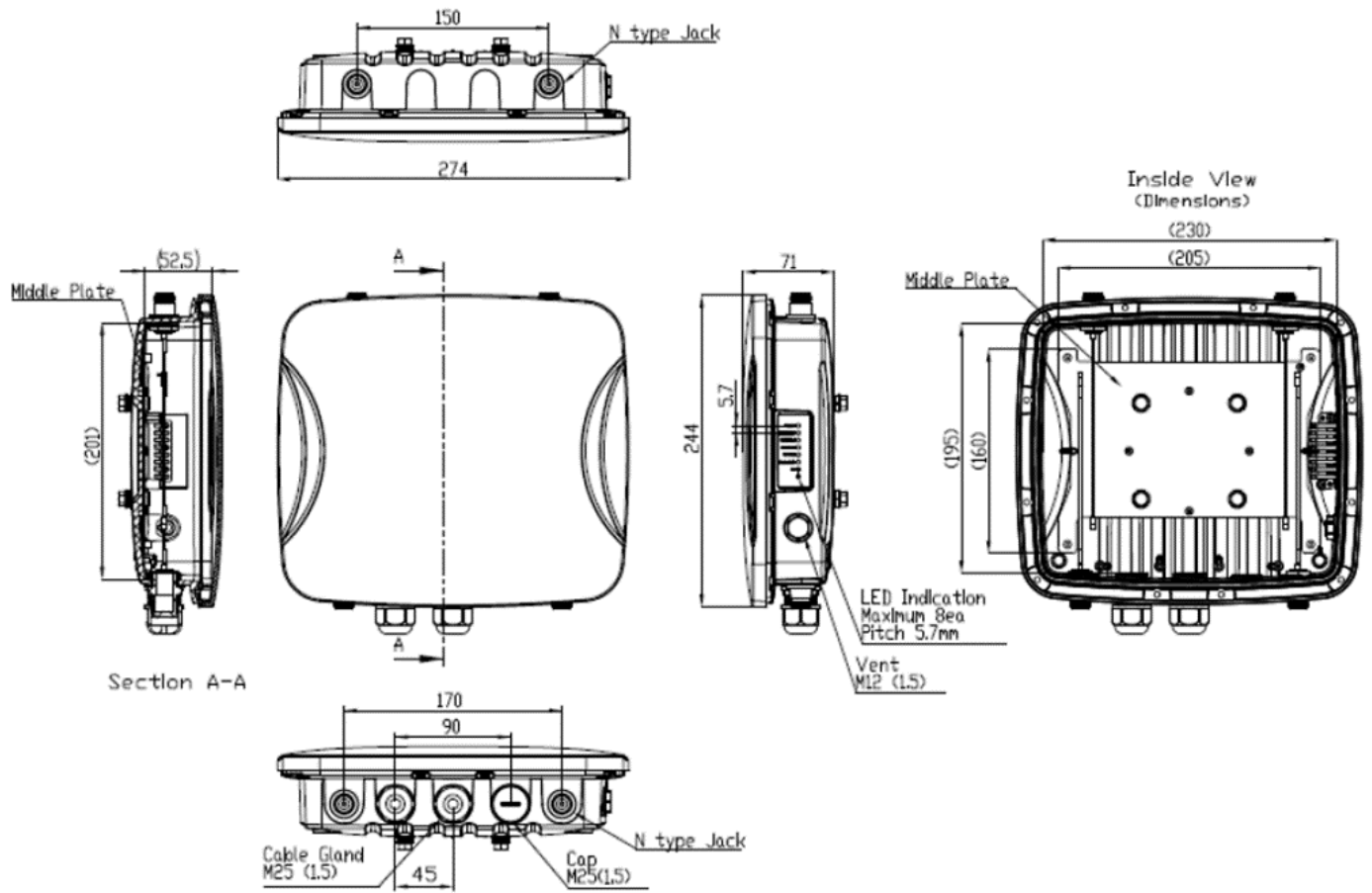
IP67 Outdoor Enclosure	
Model Name	EN403-CY
Brand Name	APEX

PRODUCT SPECIFICATIONS

Electrical	
Top Cover (Options)	AL Die Casting or PC Plastic
Bottom Cover	AL Die Casting
Finish/Color	Powder Coating/Light Gray
Material	ADC12(Aluminum alloy) / PC, UV resistance
Vent Connector	Yes, IP67 rated
GND Connection	Yes, x2
LED Indicating Panel (Options)	Yes, x8 light (max.)
Thermal Solution	Yes
Number of port (max.)	9
Port Interface(Options)	6x N/f connector, 2x RJ-45 adapter, 1x Console port

Physical and Environmental		
Dimension (DxL)	mm	274 x 244 x 71 mm
Weight	kg	2.0kg (w/o Mounting Kit)
Mounting	-	Pole / Wall; Adjustable V: +/-45deg, H: +/-45deg (Options)
Operating Temperature	-	-40°C~85°C
IP Rating	-	IP67 rated
Wind Load (Survival)	-	210km/h, Beaufort Scale: 17
RoHS Compliance	-	Yes, x8 light (max.)
Flammability	-	UL94-V0

OUTLINE



STRUCTURE ASSEMBLY

