

## **OD1.13 SMA Jack to IpeX Coaxial Cable Assembly**

### **PRODUCT INFORMATION**

<b>1.13 IpeX Coaxial Cable</b>	
Model Name	APC13
Part Number	APC13I1SF
Brand Name	APEX

### **PRODUCT SPECIFICATIONS**

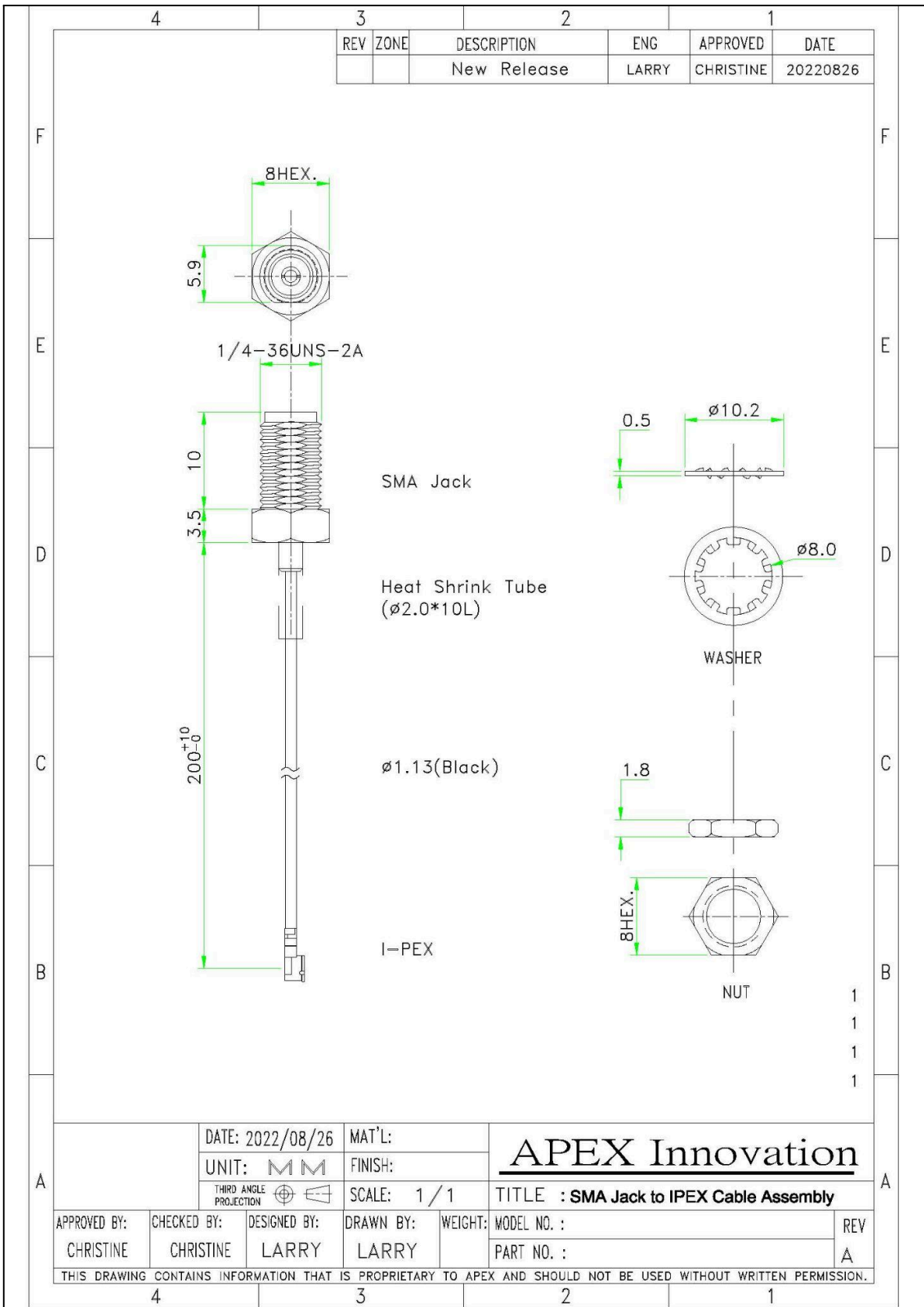
<b>Electrical</b>	
Frequency	DC-6GHz
VSWR	<2 (With 150 mm cable length)
Impedance	50 ohms

<b>Physical and Environmental</b>		
Cable Length	cm	200mm OD1.13 or customised
Weight	pcs/g	0.8 g
Connector	-	IPEX 1L to SMA Female or customised
Material	-	Ni / Brass
Color	-	Black

### **PACKING**

PE BAG	10 pieces in a PE bag
Carton	1000pcs in a carton

**OUTLINE**



# ELECTRICAL TEST

