

4G LTE External Antenna



PRODUCT INFORMATION

4G LTE Antenna	
Model Name	AP712P1-CBM
Brand Name	APEX

PRODUCT SPECIFICATIONS

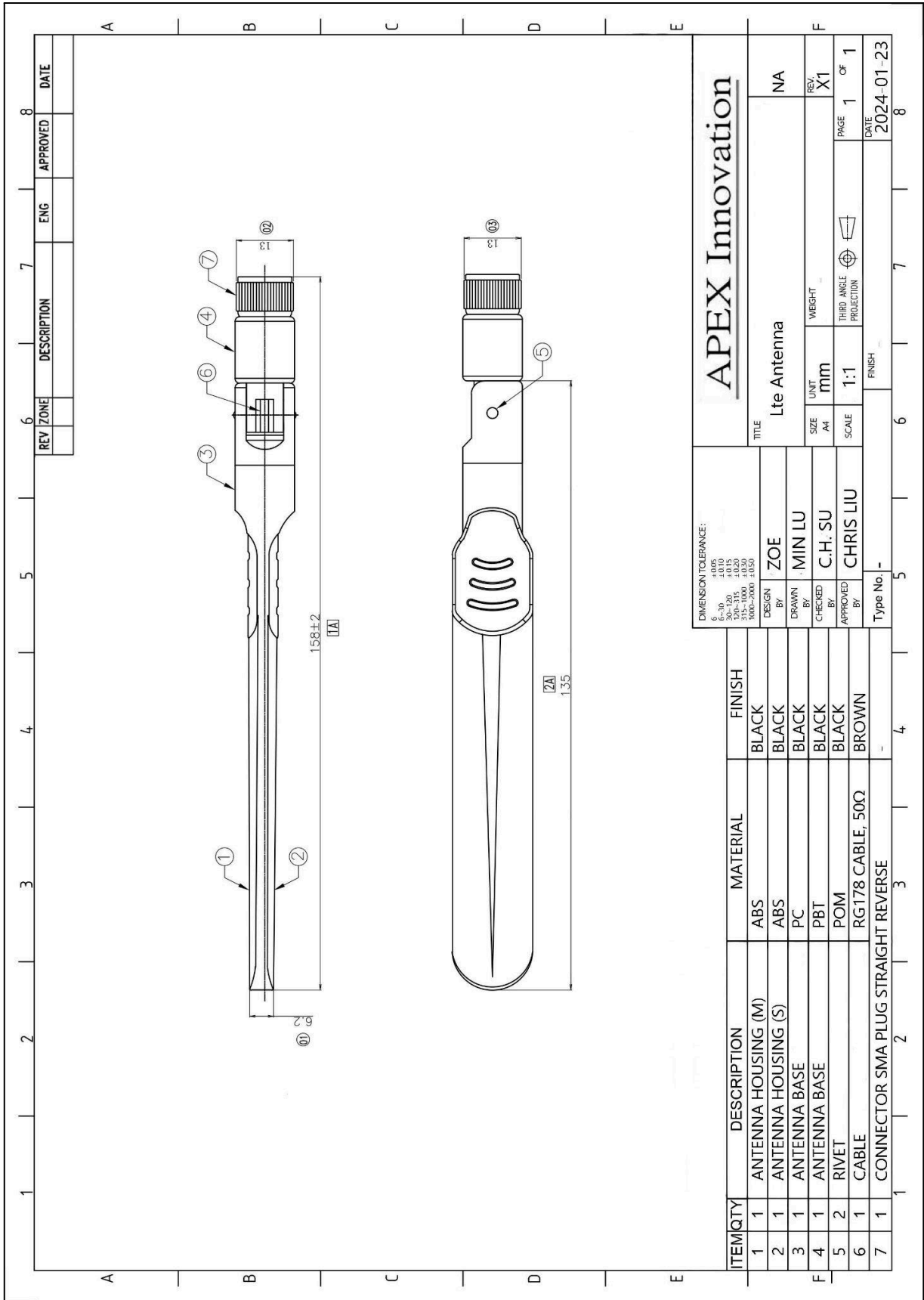
Electrical	
Frequency	700 ~ 960 MHz / 1710 ~ 2690 MHz
Gain	2dBi
VSWR	≤ 2
Power(W)	50W
Polarization	Vertical
Impedance	50 ohms
Radiation	Omni-directional

Physical and Environmental		
Dimension (DxL)	mm	158 x 6.2mm
Weight	pcs/g	18 g
Connector	-	SMA plug or customised
Material	-	ABS
Operating Temperature	°C	-40 ~ +70

PACKING

PE BAG	1 piece in a PE bag
Carton	500 pieces in a carton
Gross Weight	10 kg

OUTLINE



ELECTRICAL TEST

